

ClarkeTM



Retractable Air Hose Reel Models CAR8MC & CAR15MC

PART NOS: 3126105 & 3126100

USER GUIDE

INTRODUCTION

Thank you for purchasing this CLARKE Air Hose Reel.

Please read this manual thoroughly and follow the instructions carefully. Before attempting to use the hose reel, thoroughly familiarise yourself with the reel & its operation. In doing so you will ensure the safety of yourself and that of others around you, and you can look forward to the hose reel giving you long and satisfactory service.

GUARANTEE

This product is guaranteed against faulty manufacture for a period of 12 months from the date of purchase. Please keep your receipt which will be required as proof of purchase.

This guarantee is invalid if the product is found to have been abused or tampered with in any way, or not used for the purpose for which it was intended.

Faulty goods should be returned to their place of purchase, no product can be returned to us without prior permission.

This guarantee does not effect your statutory rights.

Please note: seals, plastic rollers and rubber stopper are considered to be consumable spares and as such are not covered by this warranty.

PARTS & SERVICE

For spare parts and service, please contact your nearest dealer, or CLARKE International, on one of the following numbers:

PARTS & SERVICE TEL: 020 8988 7400 / FAX: 020 8558 3622

or e-mail as follows:

PARTS: Parts@clarkeinternational.com

SERVICE: Service@clarkeinternational.com

ENVIRONMENTAL PROTECTION



Do not dispose of this product with general household waste. It should be disposed of at a recognised disposal facility and in accordance with local authority guidelines.

GENERAL SAFETY RULES

1. **NEVER** exceed the rated operating pressure for this device - 20bar (300psi).
2. **NEVER** allow the hose to retract freely. It should always be restrained to prevent the air tool from whipping, with resultant damage to persons or property.
3. **NEVER** allow children to use the hose reel. Keep children clear of the work area at all times.
4. **ALWAYS** check for damage before using the hose. Any damage should be properly repaired or the part replaced. Consult your local dealer.
5. **ALWAYS** ensure trailing hose does not constitute a trip hazard.
6. **ALWAYS** wear eye protection when assembling and using the hose reel.
7. **ALWAYS** take precautions with respect to the use of compressed air. Remember....compressed air is hazardous.
8. **ALWAYS** ensure all air connections are properly sealed using teflon tape or pipe sealant.

SPECIFICATION

This CLARKE retractable air hose reel incorporates a spring driven, automatic rewind with locking ratchet mechanism (eight locking positions per revolution).

Models: CAR8MC & CAR15MC
Part Nos: 3126105 & 3126100
Air Hose Size 8 metres (CAR8MC), 15 metres (CAR15MC)
Reel Air Inlet (F) 1/4" BSP
Reel Air Outlet (M) 1/4" BSP
Maximum Pressure: 20 Bar (300 PSI)
Maximum Air Flow: 25 CFM

INSTALLATION

The hose reel may be mounted to a wall, floor or ceiling as required. Ensure the mounting hardware (not supplied) and the mounting position is of sufficient strength to support the hose and reel, plus the force required to extend the hose.

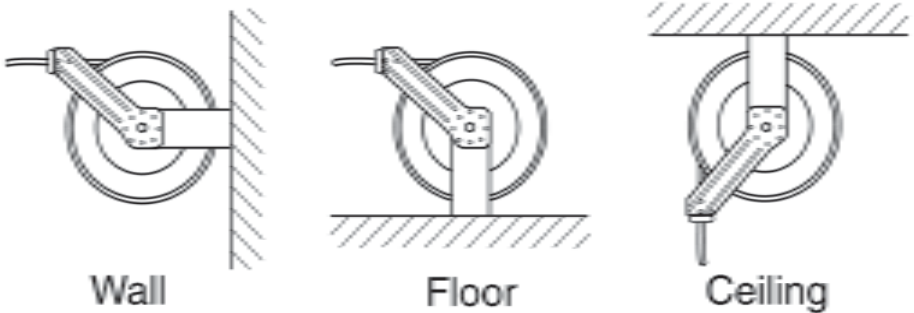
1. Choose a suitable mounting position close enough to the compressor that the two items can be connected together using a shorter length of hose and from where, the air compressor can be conveniently adjusted.
2. Mount the reel using four 1/2" bolts with washers secured through slots in the mounting base.

The position of the hose guide bracket, (containing the roller supports), may be changed depending upon the mounting position as illustrated on the following page.

To change the position of the guide arm, proceed as follows:

1. Pull out the hose a short distance and allow it to 'latch'.
2. Remove the 4 nuts securing the arm and roller bracket to the hub, noting that the bolts used are 'coach bolts'.
3. Move the arm with roller bracket in 90deg increments to the chosen position, as required, and reassemble to the hub.

NOTE: This may be a little tricky if the coach bolts fall out. By inserting one bolt and securing with a washer and nut first, then turning the drum whilst inserting the remaining bolts, will simplify the operation.



4. When the reel is secured in position, attach the air hose coming from the compressor.
5. Wrap the threads of the male connector with teflon tape (supplied), or other thread sealant, and connect to the air inlet valve on the side of the hose reel. Connect the other end of the incoming air hose to the compressor. Use teflon tape to hose outlet when attaching air powered tools.
6. If required, adjust the hose stopper which determines the length of hose that remains outside the reel. To adjust, pull hose out past the desired position of the hose stopper and latch the reel. Loosen both stopper bolts and move stopper to chosen position before re-tightening bolts.

OPERATION

1. Check the reel for correct operation, as follows:
2. Gently pull out the hose - a series of clicks will be heard, every half revolution of the drum.
3. When a click is heard, release the hose. It should be held by the latch. Continue to pull out the hose, and after a series of clicks, at various lengths, release it to check the operation of the latch.
4. To release the latch, give the hose a brief tug, and allow the hose to retract, under control, until the stopper rests on the hose guide. Do not let go of the hose.
5. Periodically, check the hose for excessive wear and hose connections for leaks.

MAINTENANCE

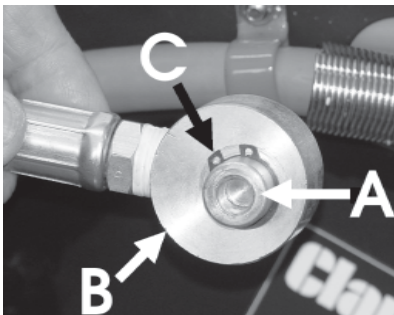
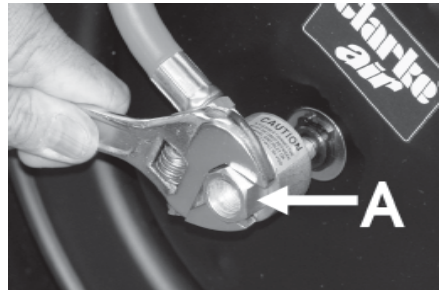


WARNING: Before carrying out any maintenance tasks always be sure to turn off the air supply to the Hose Reel and release any pressure in the airline.

Periodically, check the hose for wear and damage, and the swivel fitting for leakage using soapy water. Any damage or leaks should be repaired before further use. Swivel seal and hose replacement tasks are carried out as follows:

A Inlet Swivel Seal (O-ring) replacement

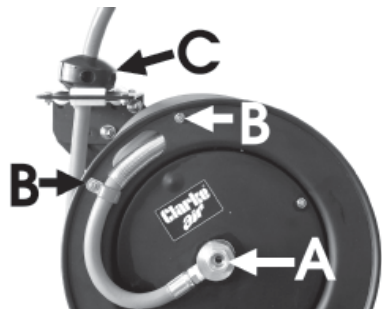
1. Disconnect incoming air supply and the air inlet hose from the brass inlet air valve.
2. Undo and remove the inlet air valve assembly from the shaft by fitting a wrench onto the hexagonal portion of valve and turning counter-clockwise.



3. Remove the retaining ring and slide the air inlet valve swivel collar from the air inlet valve body.
4. Remove worn/damaged O-rings (2 pcs) and replace with new parts.
5. Re-assemble in reverse order.

B Replacing the hose

1. Secure and stabilise the reel. It should be possible to replace the hose with the reel still mounted in position.
2. Disconnect the incoming air supply.
3. Pull out the entire length of the hose and lock the reel. Ensure it is securely locked in place.
4. Unscrew the hose clamps 'B' that attach the hose to the drum. Disconnect inlet end of the hose from the air inlet valve 'A'.
5. Pull the inlet end of the hose through the slot in the drum and guide rollers, removing the old hose completely.
6. Remove the spring hose guard, hose clamp and hose stopper 'C' from old hose. Fit these parts onto the new hose in identical positions.



7. Feed the inlet end of the hose through the guide rollers and the slot in the drum.
8. Apply some teflon sealing tape or thread sealant to the hose connector and connect the air inlet valve.
9. Attach the hose clamp to the drum and rewind the hose onto the reel using normal operation.

C Hose Recoil Tension Adjustment

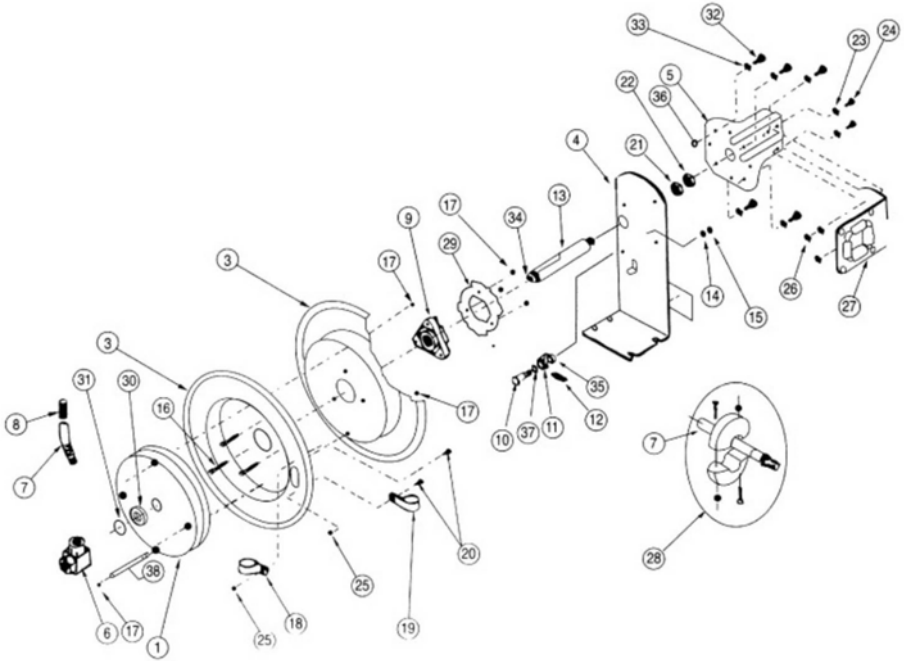
1. Disconnect incoming air supply.
2. Pull out about 2 feet of hose and latch the reel.
3. Remove hose stopper (part 28).
4. Firmly hold the edge of the reel drum and unlatch the reel. Carefully allow drum to slowly rewind, drawing the hose end back through the guide arm roller assembly and onto the reel. Latch the reel in position.
5. **To increase tension:** Unlatch reel and turn clockwise (as viewed from the air inlet side).
To decrease tension: Unlatch and allow reel to rotate anti-clockwise (as viewed from the air inlet side).
6. Once the desired spring tension is reached, latch reel in position. Feed hose end through the roller assembly in guide arm and re-attach hose stopper.
7. Re-connect incoming air supply.

D Replacing the Spring Canister

1. Follow steps 1-4 under Recoil Tension Adjustment above.
2. Unlatch the reel and allow the drum to slowly rewind until the tension in the spring is relieved and the reel stops. Carefully control the speed of the drum and do not release while re-winding.
3. Remove the air inlet valve and spacing washer. Refer to A. Replacing the Air Inlet Valve O-rings: step 2.
4. Remove nuts from mounting bracket side of drum inside drum cavity. Do not attempt to remove spring canister nuts on air inlet side of drum.
5. Pull entire spring canister (1) off the drum axle (13). Replace with a new spring canister.
6. Reverse the above procedure to re-assemble.
7. After assembly, re-tension the reel by turning the drum three complete turns clockwise (as viewed from air inlet side) and latch the reel.
8. Feed the hose through the guide arm and re-attach the hose stopper.

IMPORTANT! If the rewind spring fails for any reason, it is strongly recommended that, for safety reasons, it is replaced by a trained technician, or returned to your Clarke dealer for repair.

PARTS DIAGRAM



No.	Description	Part No.	No	Description	Part No.
1	Spring Canister	CAR8MC01	20.	Bolt	CAR8MC20
2	Hose Drum-Inner	CAR8MC02	21.	Washer	CAR8MC21
3	Hose Drum-Outer	CAR8MC03	22.	Nut	CAR8MC22
4	Base Mtg Bracket	CAR8MC04	23.	Washer	CAR8MC23
5	Guide Arm	CAR8MC05	24.	Bolt	CAR8MC24
6a	Air Inlet Valve Body	CAR8MC6A	25.	Nut	CAR8MC25
6b	Air inlet Swivel Collar	CAR8MC6B	26.	Lock Nut	CAR8MC26
7	Hose	CAR8MC07	27.	Roller Guide Bracket	CAR8MC27
8	Spring Hose Guard	CAR8MC08	28.	Rubber Stop Block	CAR8MC28
9	Hub Bearing Assembly	CAR8MC09	29.	Ratchet Locking Gear	CAR8MC29
10	Bolt	CAR8MC10	30.	Spacing Washer	CAR8MC30
11	Locking Cam	CAR8MC11	31.	Retaining Ring	CAR8MC31
12	Spring	CAR8MC12	32.	Bolt	CAR8MC32
13	Axle	CAR8MC13	33.	Lock Washer	CAR8MC33
14	Lock Washer	CAR8MC14	34.	Setscrew	CAR8MC34
15	Nut	CAR8MC15	35.	Spacing Washer	CAR8MC35
16	Bolt	CAR8MC16	36.	Nut	CAR8MC36
17	Nut	CAR8MC17	37.	Spacing washer	CAR8MC37
18	Clamp	CAR8MC18	38.	Pin	CAR8MC38
19	Clamp	CAR8MC19			

A SELECTION FROM THE VAST RANGE OF

Clarke®

QUALITY PRODUCTS

AIR COMPRESSORS

From DIY to industrial, Plus air tools, spray guns and accessories.

GENERATORS

Prime duty or emergency standby for business, home and leisure.

POWER WASHERS

Hot and cold, electric and engine driven - we have what you need

WELDERS

Mig, Arc, Tig and Spot. From DIY to auto/industrial.

METALWORKING

Drills, grinders and saws for DIY and professional use.

WOODWORKING

Saws, sanders, lathes, mortisers and dust extraction.

HYDRAULICS

Cranes, body repair kits, transmission jacks for all types of workshop use.

WATER PUMPS

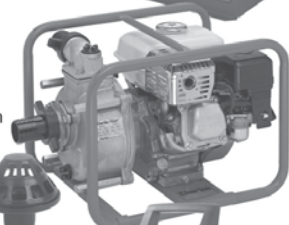
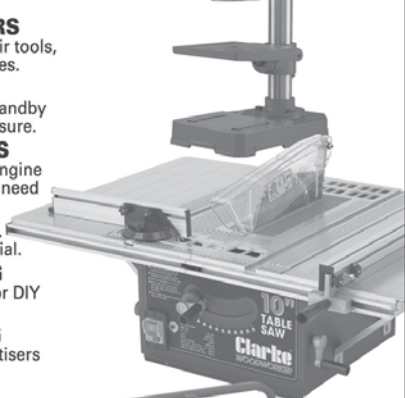
Submersible, electric and engine driven for DIY, agriculture and industry.

POWER TOOLS

Angle grinders, cordless drill sets, saws and sanders..

STARTERS/CHARGERS

All sizes for car and commercial use.



PARTS & SERVICE: 0208 988 7400

E-mail: Parts@clarkeinternational.com or Service@clarkeinternational.com

SALES: UK 01992 565333 or Export 00 44 (0)1992 565335

Clarke INTERNATIONAL Hemnall Street, Epping, Essex CM16 4LG
www.clarkeinternational.com